

DIVIFORM DIVIFORM+

- ✓ Modular solution with cutting-forming grids
- ✓ Quick, efficient execution
- ✓ Minimal space required
- ✓ Pressure plate (only on DIVIFORM+)
- ✓ Stainless steel exterior



DIVIFORM

Side frame included. Sold without grid

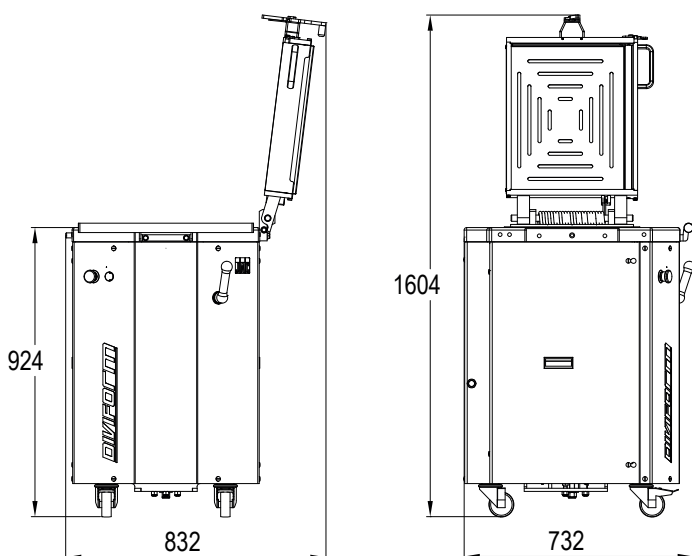
DIVIFORM+

Side frame included. Sold without grid

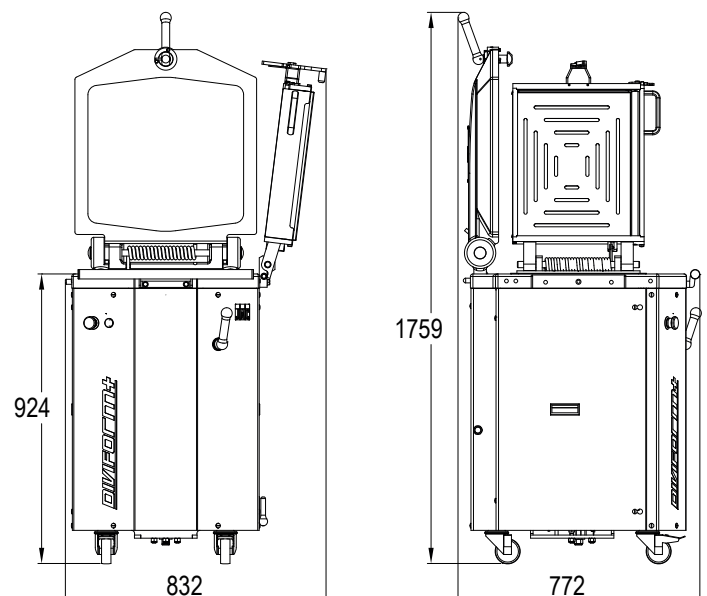
From 400 to 3000 pieces an hour*

*depending on the type of grid used

DIVIFORM



DIVIFORM+



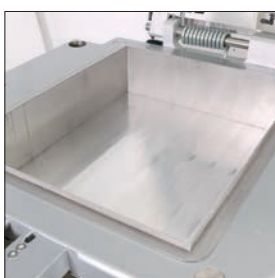


Easylock

Automatic grid holder locking system
On closing, the grid holder locks automatically and starts the automatic dividing cycle.



Right side frame
Compatible with all types of Form Factory grids.



Stainless steel tank
For optimum hygiene and easy maintenance



Protection / movement handle
Allows easy handling of the machine.



DIVIFORM+
Pressure plate
Evens out the dough



DIVIFORM+
Adjustable pressure (between 20 and 40 bars)
Prevents de-gassing of the different types of dough.



click&cut!
Quick grid changing system



Fullmatic
Automatic grid holder locking system
On closing, the grid holder locks automatically and starts the automatic dividing cycle.



Easyflour
Easyflour built-in flour dispenser



Left and/or right side grid storage

FEATURES	DIVIFORM	DIVIFORM+
Dimensions of tanks (L x W x H) in mm	460 x 387 x 125	460 x 387 x 125
Tank capacity in kg	5	5
Pressure plate	n/a	•
Usable with half grids	•	•
Supplied with a grid frame	•	•
Easylock	n/a	•
Motor power in kW	1.5	1.5
Net weight (in kg)	260	285

CHOICES	DIVIFORM	DIVIFORM+
Power supply	230V three-phase 400V three-phase	230V three-phase 400V three-phase

OPTIONS	DIVIFORM	DIVIFORM+
click&cut!	•	•
Left or right side grid storage	•	•
Grid storage extension	•	•
Power supply 230V single phase 50-60Hz	•	•
Power supply 230-380V three-phase 60Hz	•	•
Wood case packing	•	•
Fullmatic	•	•
Easyflour	•	•
Training 2 days	•	•



The grids catalogue offers more than 100 different grids. The choice is yours!