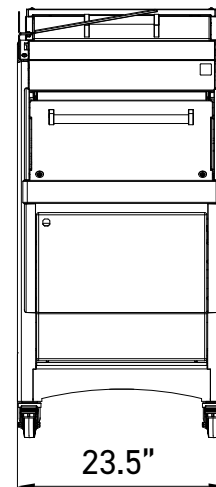
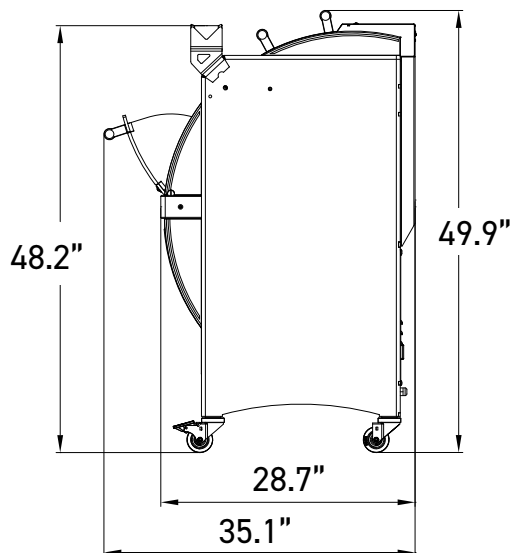




NEW SELF

- ✓ Customer Self service slicer
- ✓ Over 700 installed nationwide
- ✓ Floor standing: will not topple over like top heavy stand mounted slicers
- ✓ Automatic start when safety cover is closed no pushing buttons
- ✓ Large heavy duty crumb tray with ergonomic soft close door
- ✓ 5 year parts warranty





ISC® (Intelligent Slicing Control) (patent JAC)
Automatic control system of pressure and slicing speed . It adapts the cutting action according to the consistency of the bread. no manual setting needed.



JAC FIX
Holds the loaf together for easier handling at the exit of the slicer.



Front safety cover
Locked during the slicing process for maximum safety.



Removable crumb collector
Completely safe. Accessible by tilting the front door.
6.6 gallons capacity.



Rear safety cover
Closing it initiates the slicing process and it remains mechanically and electrically locked during cutting.

FEATURES		NEW SELF 450
Max. loaf dimensions in cm (L x W x H)		17.3" x 12.2" x 6.3"
Motor power in kW		0.49
Type of motor		1ph/120V/60Hz/7.3A
Net weight in lbs		462
JAC FIX		•

CHOICES	
Slice thickness options	from 3/8" to 1 1/4"

OPTIONS	
Loaf counter	•
Special slice thickness (more than 5/8 ")	•