

Automatic slicer

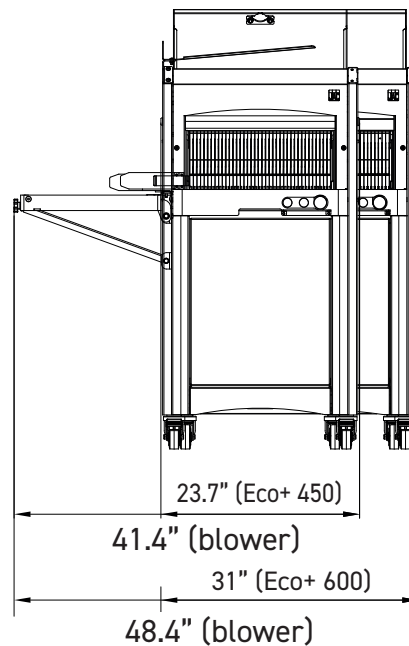
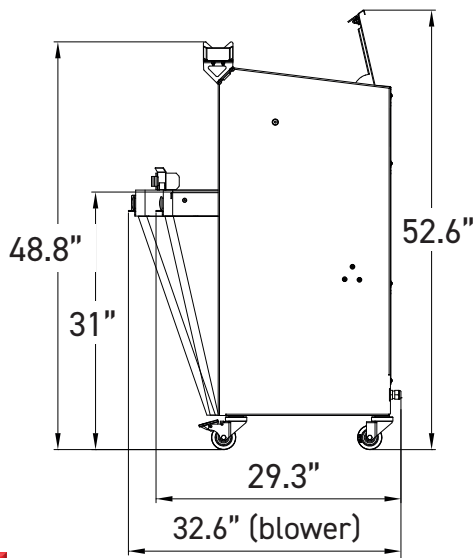


ECO+

450 / 600



- ✓ Safety cover to start slicing cycle
- ✓ Safety cover automatically opens upon completion of slicing cycle
- ✓ Very quiet operation
- ✓ 3 speed selector
- ✓ Compact footprint
- ✓ large heavy duty crumb tray with ergonomic soft close door
- ✓ 5 year parts warranty
- ✓ Optional: ECO+ 600, 2 slice thicknesses on one slicer





ISC® (Intelligent Slicing Control) (patent JAC)
Automatic control system of pressure and slicing speed . It adapts the cutting action according to the consistency of the bread. no manual setting needed.

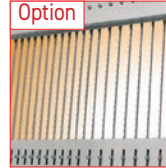
ISC extended mode selector
Two automatic extra modes, in order to adapt to extreme cutting conditions of very fresh breads or high cutting rates.



ECO+ 600
Fold down bag blowing table
Saves packaging time.



Rear safety cover
Closing it initiates the slicing process and it opens automatically when slicing is complete.



Double slice thickness
Allows two different slicing widths on the same machine



Removable crumb collector
Accessible by tilting the front, cylinder-assisted door.
4.7 gallons capacity.

FEATURES

	ECO+ 450	ECO+ 600
Max. loaf dimensions in in (L x W x H)	17.3" x 12.2" x 6.3"	23.6" x 12.2" x 6.3"
Motor power in kW	0.49	0.49
Type of motor	1ph/120V/60Hz/7.3A	1ph/120V/60Hz/7.3A
Plug Configuration	NEMA 5-15P*	NEMA 5-15P*
Net weight in lbs	364	397
Fold down bag blowing table		•
Loaf pusher pressure selector	•	•

OPTION

Double slice thickness | | •

SLICE THICKNESS	
INCH TO MM	
3/8"	10
7/16"	11
1/2"	13
5/8"	16
3/4"	19
7/8"	22
1"	25
1 1/4"	31

