

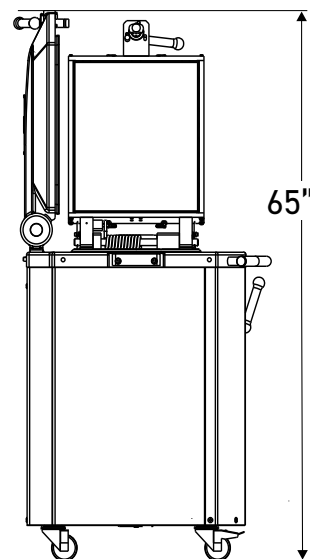
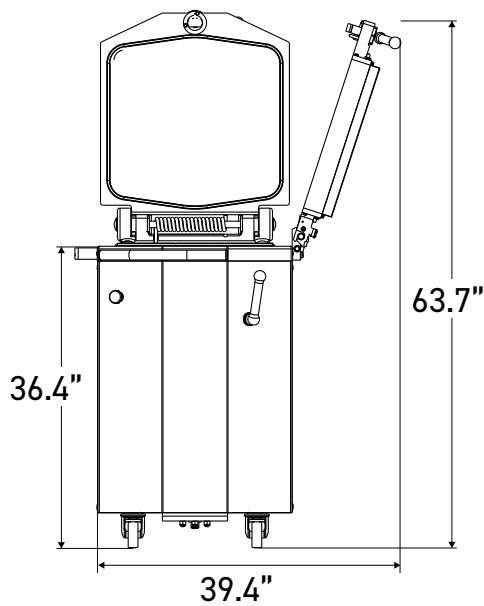


TRADIFORM

- ✓ Modular solution with cutting/forming grids
- ✓ Quick, efficient
- ✓ Versatile
- ✓ Minimal space required
- ✓ Pressure plate
- ✓ Stainless steel exterior
- ✓ 5 years parts / 1 year labor warranty



Side frame included. Sold without grid





Easylock

Accroche automatique du support de grilles Lors de sa fermeture, le support grille se verrouille automatiquement et lance le cycle auto de division.



Stainless steel tank and knives
Includes automatic retraction for easy maintenance.



Easy Clean

Easy Clean treatment of the cast iron head
This extremely tough treatment is impregnated into the material; its exceptional non-stick qualities improve over time.



Flour splash prevention system
Prevents flour dispersal.



click&cut!

Système de changement rapide et ergonomique de grille



Protection / movement handle
Allows easy handling of the machine.



Adjustable pressure
Prevents de-gassing of the different types of dough.



Option Left or right side grid storage

FEATURES

TRADIFORM

Dimensions of tanks (L x W x H) in in	18.1" x 15.2" x 4.9"
Dimensions of heads (L x W) in in	4.5" x 2.9"
Min/max weight of dough pieces in oz	5.3 / 33.5
Tank capacity in lbs	41.9
Pressure plate	•
Automatic knife retraction	•
Flour splash prevention system	•
Supplied with a grid frame	•
Motor power in kW	1.8
Type of motor	3ph/208V/60Hz/11A
Net weight in lbs (including frame)	628.3

OPTIONS

Left or right side grid storage | •

The grids catalogue offers more than 100 different grids. The choice is yours!

