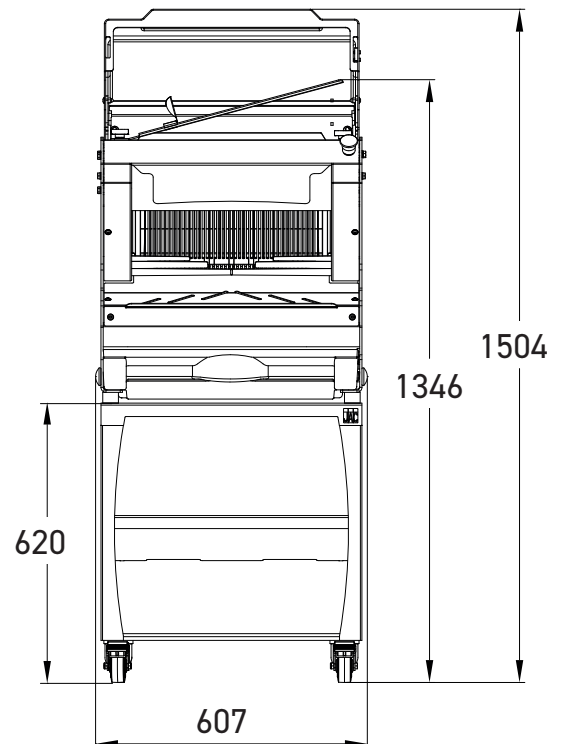
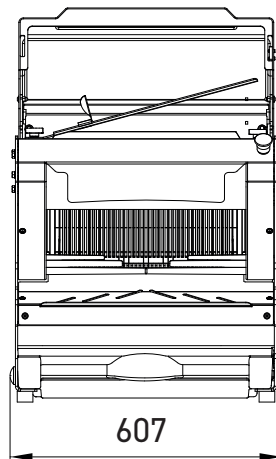
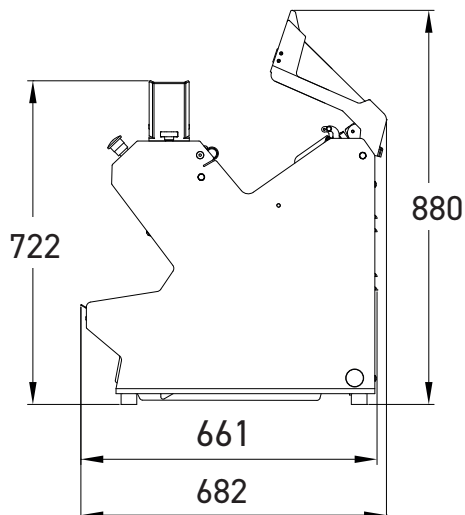


PICOMATIC Platinum

- ✓ Automatic control system of pressure and slicing speed thru ISC[®] system : no manual setting needed
- ✓ Automatic control system of the cutting action AutoMode (start and finish) : no buttons or cover (optional)
- ✓ Minimum space requirement
- ✓ Can be used on a counter-top or on an optional wheeled base
- ✓ Front-loading for ergonomic efficiency



Up to 250 loaves an hour





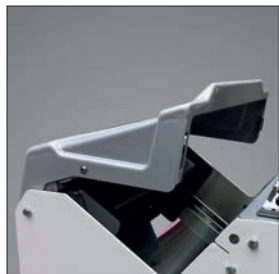
ISC® (Intelligent Slicing Control) (patent JAC)

Automatic control system of pressure and slicing speed. It adapts the cutting action according to the consistency of the bread. no manual setting needed.



Type available "M" system

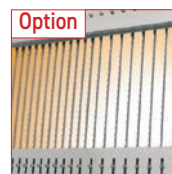
Micronised knife lubrication system for cutting bread with a high rye content or sticky crumb. Developed by JAC, it consumes the least possible amount of oil (120 ml per 1000 loaves) and delivers consistent cutting quality.



Rear safety cover

Closing it initiates the slicing process and it opens automatically when slicing is complete.

Not available with the **AutoMode** option.



Option

Double slice thickness

Allows two different slicing widths on the same machine

Option **Black Edition**



Option

AutoMode

Automatic cutting cycle for optimum time management.

Increased accessibility while maintaining an optimum safety level.

Achieves maximum output combined with fewer operations.




Accessory

Wheeled base with two locking casters.

Provides storage space and mobility.

FEATURES

	PICOMATIC 450	PICOMATIC 450M 
Max. loaf dimensions in cm (L x W x H)	44 x 30 x 18	44 x 29 x 18
Motor power in kW	0.49	1.1
Net weight (in kg)	105	115
Blade type and dimensions in mm	13 x 0.5 steel	13 x 0.5 Teflon coated

CHOICES

Slice thickness in mm	9 - 18	9 - 12
Loaf pusher height	Extra low (50mm) Low (80mm) High (100mm)	Misch (80mm)
Power supply	230V single phase 230V three-phase 400V three-phase	400V three-phase
Standard colour*	•	•

OPTIONS

Heavy duty motor**	•	Standard
AutoMode	•	•
Black Edition Finish***	•	•
Information screen****	•	•
Double slice thickness	•	n/a
Special colour	•	•
Special blades	•	Standard teflon
Jacfix	•	•

ACCESSORY

Wheeled base	•	•
--------------	---	---

**Only with power supply 380V three-phase option

***Only available on machines equipped with Automode

****Not available on machines equipped with Automode

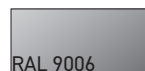
*STANDAARDKLEUREN



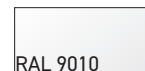
RAL 3013



RAL 9005



RAL 9006



RAL 9010